

# 0/1-10V Phase-adaptive Dimming Power Amplifier

Model No: L6993-02YL

## Profile

- Dimming power amplifier adopt leading edge phase dimming, input 0/1-10V signal and convert into high power 0-220V TRIAC dimming.
- Applicable for incandescent lamps, dimmable LED lamps, and low-voltage halogen lamps with electronic transformer.
- Each channel output power up to 1000W.

## Features

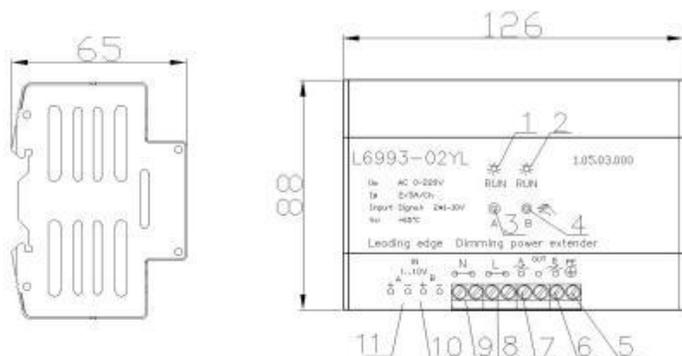
- Manual dimming button/metal shell heat dissipation/multiple temperature protection /flickerless module
- Short out protection, overload and over-voltage protection
- Signal input buffer design, smooth dimming, timing >=220us
- Long life cycle, small size and 35mm DIN-rail installation
- Signal input terminal plug design, easy connection



## Technical Parameters

Model No	L6993-02YL	L6993-02Y	L6993-02YD
Brand	LAMMIN		
Input Signal	0/1-10V signal	0-220V signal	DALI signal
Input Voltage	AC 220V		
Output Voltage	AC 0-220V		
Frequency Range	50/60Hz		
Max Load Current	5A/CH*2		
Max Output	1000W*2		
Min Load	40W		
Certification	CE UL		
Working Temp	-20°C~+50°C		
Warranty	3 years		
Size(L*W*H)MM	126*88*65		
Installation	35mm DIN rail		
Customization	YES		

## Wiring Diagram and Installations



- 1)-2) Channel A,B LED indicator
- 3)-4) Channel A,B emergency button
- 5) PE Ground terminal
- 6) -7)Channel A,B output
- 8) Power L
- 9) Power N
- 10)-11) 0/1-10V signal input

- Long press 3) or 4), loop dimming cycle, keep manual dimming, the indicator flashes quickly.
- Press or power on the device again to return to the manual state.
- If there is no dimming signal, flashes slowly