

DALI Switch Actuator

Model No: LR01AD

Profile

- High-power switch actuator can achieve high power switching control through DALI signal input
- 1 channel with single loop max output power reach to 10A
- High-power magnetic latching relays

Features

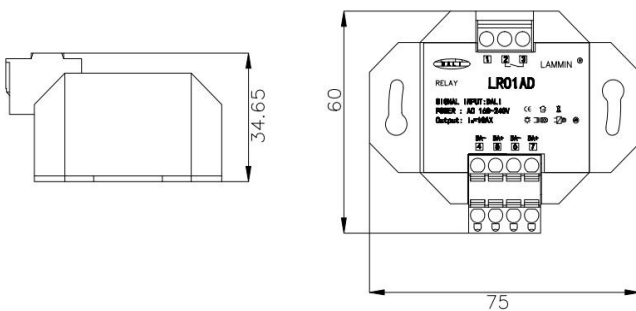
- Applicable for standard DALI signal and other inductive loads
- High-power magnetic latching relays, no power consumption
- Power consumption, anti-surge current > 170A
- Long life cycle, small size and DIN-rail installation, easy to install
- Relay manual operation is optional



Technical Parameters

Model No	LR01AD
Brand	LAMMIN
Input Signal	DALI signal
Input Voltage	AC 220V
Frequency Range	50/60Hz
Max Load Current	10A/CH*1
Max Output	10A 250VAC, 2000W, 3*10 ⁴ (fluorescent lamp) 5HP 250VAC 3*10 ⁴ (motor load)
Max Load	2000W
Certification	CE
Working Temp	-20°C ~ +50°C
Warranty	3 years
Size(L*W*H)MM	72*52*29
Installation	86 bottom box Φ3 bolts

Wiring Diagram and Installations



- 1) DALI signal (DA+)
- 2) DALI signal (DB-)
- 3) DALI signal (DA+)
- 4) DALI signal (DB-)
- 5) Power L
- 6) L1 switch contact
- 7) Power N (zero line)