

DALI-R485 Converter(DC12V/DC24V)

Model No: LD-BC100

Profile

- LD-BC100 is R485-DALI converter,bidirectional send command;
- Manual gateway address setting, up to 100 gateway addresses with DALI power supply.

Features

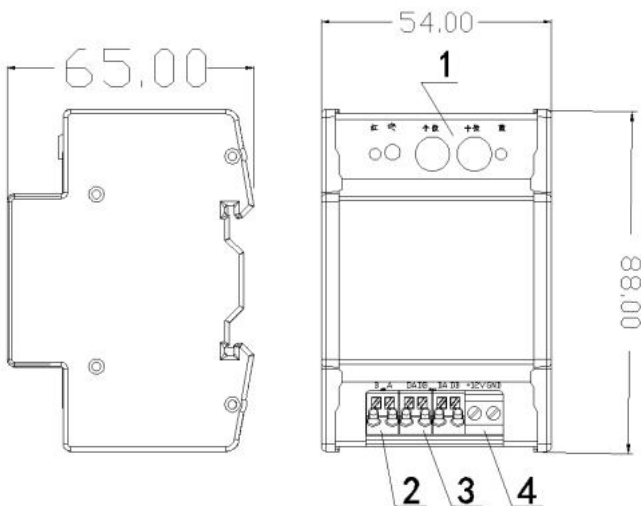
- Low voltage power supply (DC12V/DC24V), more safety
- With manual gateway address setting, up to 100 gateway addresses (0-99)
- With receiving indicator (one flash/ one command)
- Small size, easy to install



Technical Parameters

Model No	LD-BC100
Brand	LAMMIN
Input Signal	R485 signal
Input Voltage	DC12V/DC24V
Output Signal	DALI signal
Gateway Address	100*addresses(0-99)
Certification	CE
Working Temp	-20°C~+50°C
Warranty	3 years
Size(L*W*H)MM	54*88*65
Installation	35mm DIN rail

Wiring Diagram and Installations



- 1) Gateway DIP code address
- 2) 485 BUS (A+) (B-)
- 3) DALI signal
- 4) Power supply (DC12V/DC24V)

- When the device is powered on, the indicator is on, it indicates that the power supply of the device works normally.
- Select the RS485 address code by manually dip switch and select the range 0 to 99 to determine the local address. After the DALI signal and RS485 signal terminals are connected, two-way signals can be transmitted.
- The RS485 terminal can send commands to control the DALI terminal.
- DALI sends scene, group, and single-address commands, and corresponding commands can be obtained on RS485