

DALI-R485 Converter

Model No: LD-BC16-P4

Profile

- LD-BC16-P4 is R485-DALI converter,bidirectional send command;
- Manual gateway address setting, up to 16 gateway addresses with DALI power supply.

Features

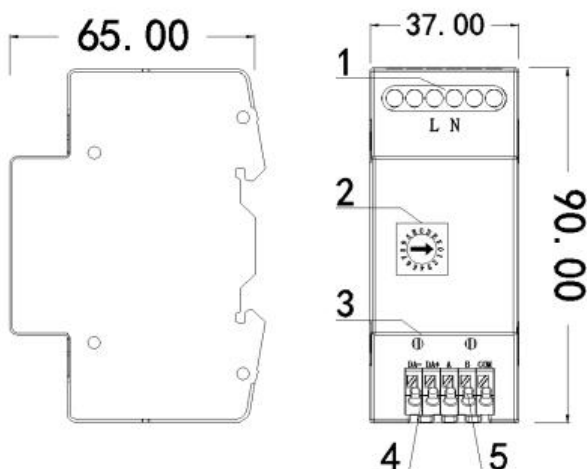
- High voltage power supply (AC220V)
- With manual gateway address setting, up to 16 gateway addresses (0-F)
- With receiving indicator (one flash/ one command)
- Small size, easy to install



Technical Parameters

Model No	LD-BC16-P4	LD-BC16-P4T
Brand	LAMMIN	
Input Signal	R485 signal	
Input Voltage	AC 220V	
Output Signal	DALI signal	
Color temperature Control	N	Y
Gateway Address	16*addresses(0-F)	
Certification	CE	
Working Temp	-20°C~ +50°C	
Warranty	3 years	
Size(L*W*H)MM	54*88*65	
Installation	35mm DIN rail	

Wiring Diagram and Installations



- 1)Working power AC220V
- 2)Gateway address selection
- 3)Working indicator
- 4) DALI signal
- 5) R485 signal

- When the device is powered on, the indicator is on, it indicates that the power supply of the device works normally.
- Select the RS485 address code by manually dip switch and select the range 0 to F to determine the local address. After the DALI signal and RS485 signal terminals are connected, two-way signals can be transmitted.
- The RS485 terminal can send commands to control the DALI terminal.
- DALI sends scene, group, and single-address commands, and corresponding commands can be obtained on RS485