

WIZ Constant Voltage Wireless LED Dimming Power Supply (DC)

Model No: L6893-02BWB

Profile

- 300W constant voltage WIFI&BLE wire less LED Dimming power supply
- LED lamp belt with dimming power supply control the high power lamp belt with CW,WW 2-way dimmer by WIZ dimming signal input
- Output power can reach 300W, using high frequency PWM control, dimming output smooth
- LED light without flicker, with the design of eliminating power surge, the LED lamp belt works stably and has a long life span.

Features

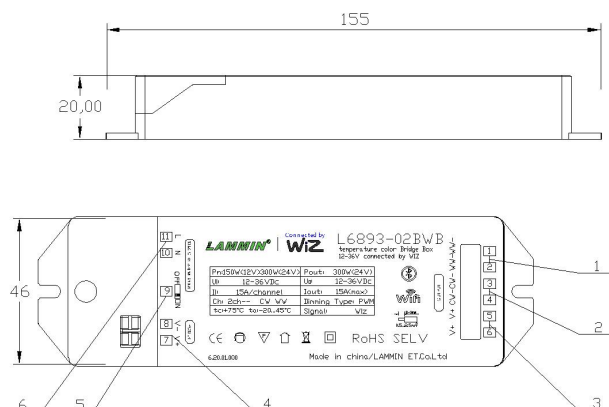
- Manual dimming button/metal shell heat dissipation/multiple temperature protection /flickerless module
- Signal input buffer design, smooth dimming, timing>=220us
- Long life span, small size and 35mm DIN-rail installation
- If the current exceeds 15A or the output is short circuit, the power supply will automatically lock up and need to be restored by power cut.
- WIZ App remote control , multiple scenario, easy to operate.



Technical Parameters

Model No	L6893-02BWB	L6893-05BWB
Brand	LAMMIN	
Input Signal	WIZ dimming signal	
Signal Type	WW, CW	WW,CW,R,G,B
Input Voltage	12-36V DC	
Output Voltage	12-36V DC	
Frequency Range	50/60Hz	
Max Load Current	15A	
Max Output	300W	
Min Load	300W	
Certification	CE	
Working Temp	-20°C ~ +50°C	
Warranty	3 years	
Size(L*W*H)MM	155*46*20	
Installation	35mm DIN rail	
Customization	YES	

Wiring Diagram and Installations



- 1) Warm white output
- 2) Cold white output
- 3) Output V+
- 4) Input V-; V+
- 5) WIZ click on-off switch
- 6) Power L; N only for WIZ click

WIZ APPs

Organize and control your lights by groups within rooms over Wi-Fi or remotely through the cloud. Improve the way you work, feel and simply enjoy the environment you're in with our wide variety of different light modes that cover the range from fun to functional.

